

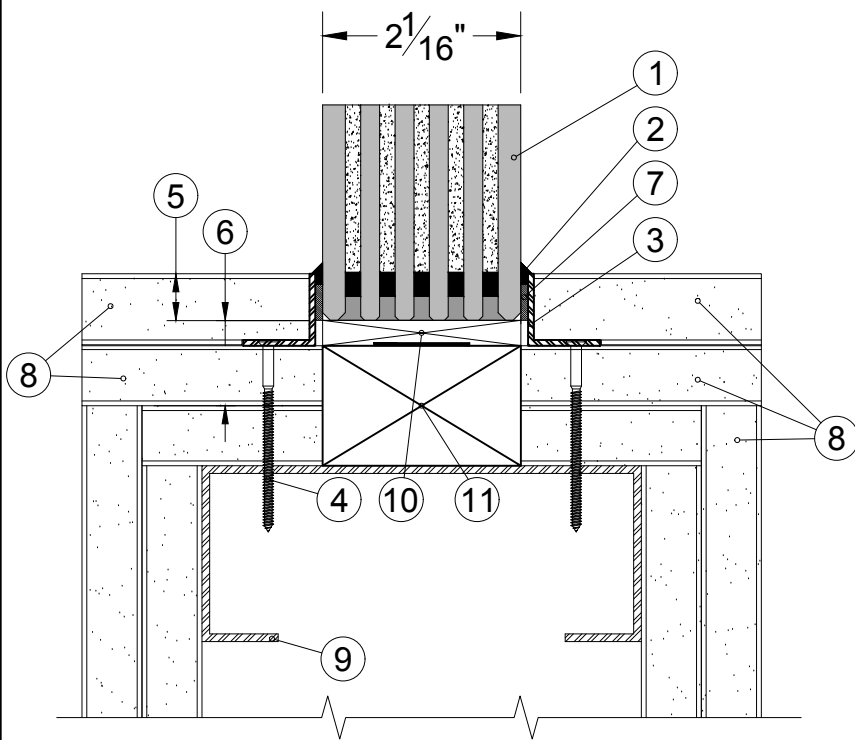
NOTE:
REFER TO CURRENT DATA SHEET FOR
MAXIMUM SIZES OF EXPOSED GLASS

SMK 120 MIN. WALL ELEVATION
X (X) THUS

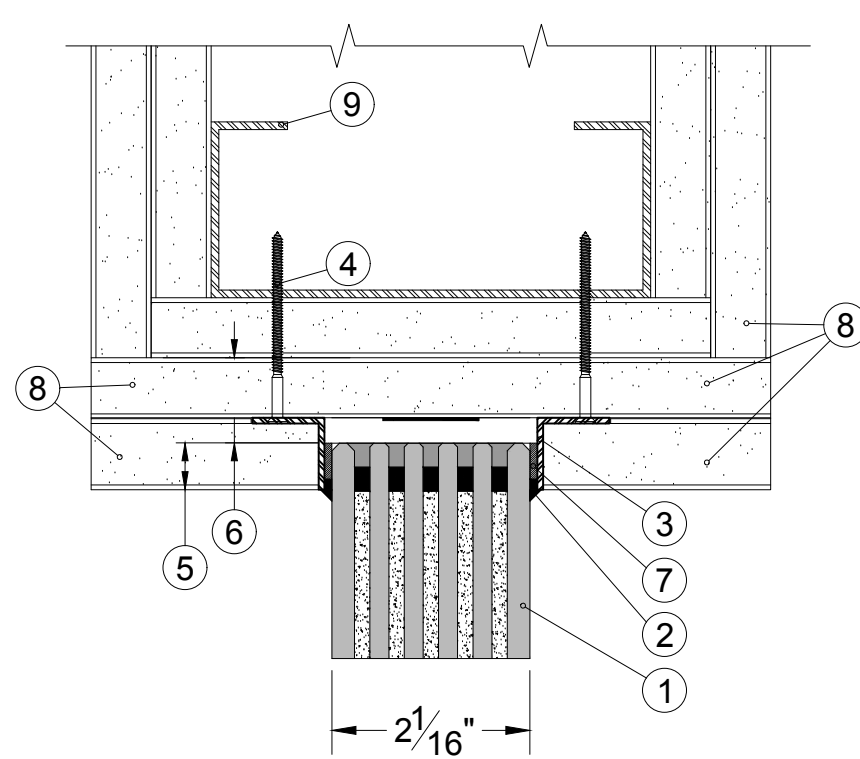


2108 B Street N.W., Suite 110
Auburn, WA 98001 USA
TEL: 888 - 803 - 9533 FAX: 253 - 333 - 5166
www.vetrotechusa.com

DRAWN BY	DATE	CHECKED BY	DATE	REVISION	FRAMING	STEEL ANGLE	TITLE	SHEET NO.
B. LISTON	1/9/13	S. ROSS	1/9/13	--	--		CF STRUCTURE 120 MIN. TEMP. RISE WALL ELEVATION	A1
				--	--			
				--	--			

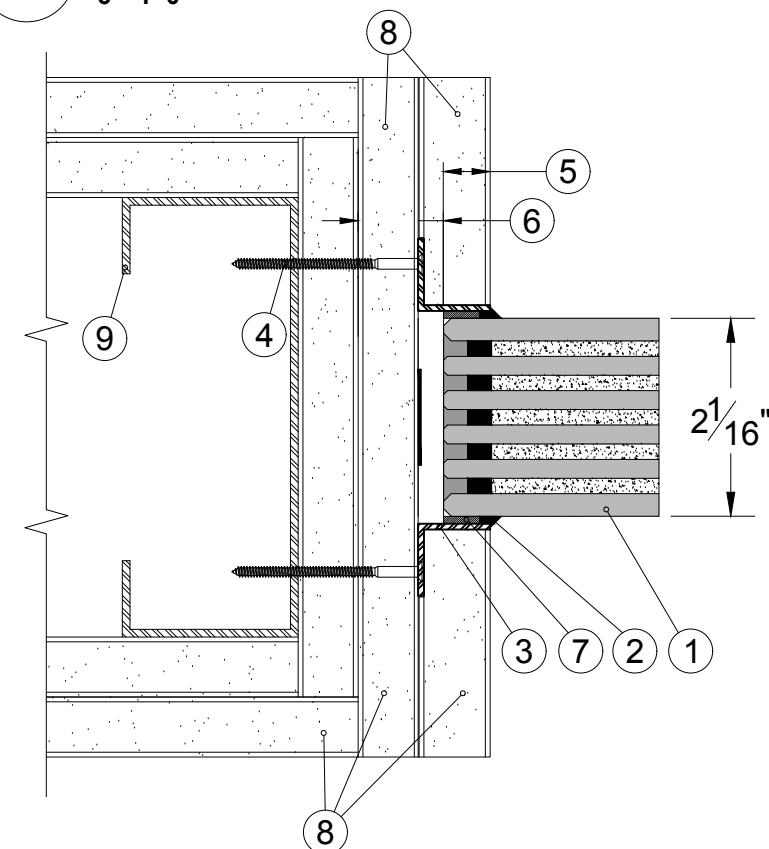


A SILL DETAIL
6"=1'-0"

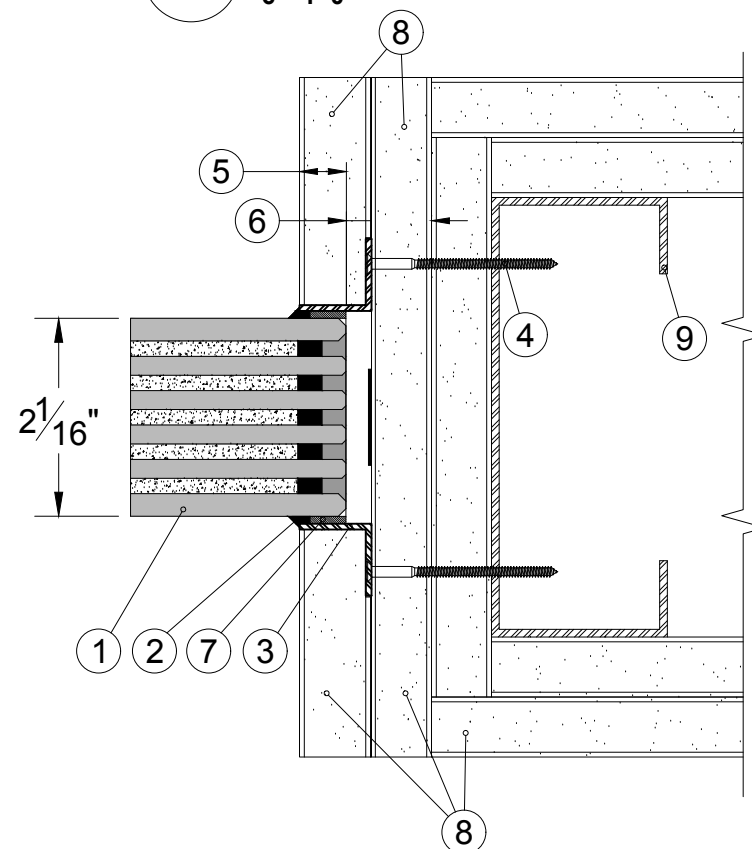


B HEAD DETAIL
6"=1'-0"

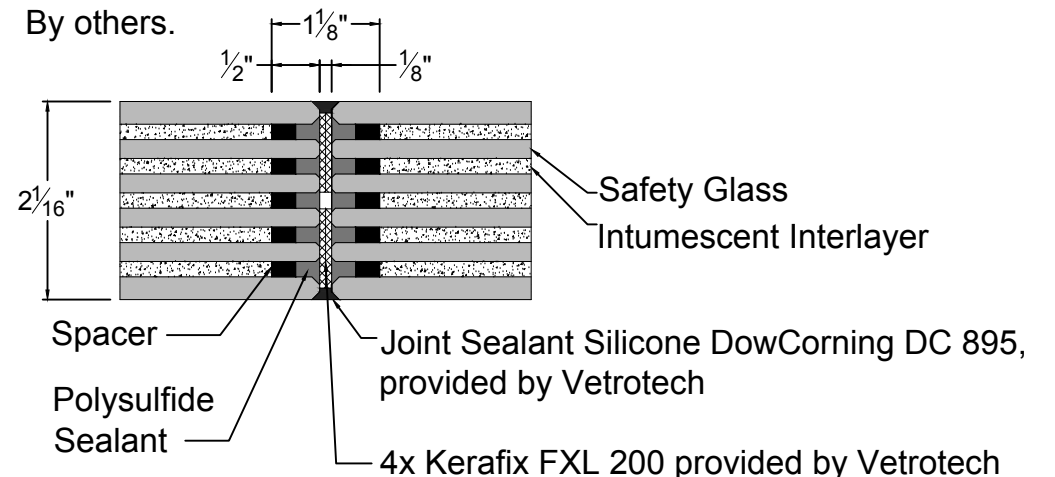
- 1 Contraflam 120 Structure 2-1/16" (52mm)
- 2 Continuous standard one part Silicone Sealant (such as: GE 1000) - By others
- 3 3/4" x 3/4" x .060" (16 GA) Cont. Galvanized Steel Angle - By others
- 4 Stop Fastener (Min. #10x1 1/2" Flat Head) - By others
- 5 1/2" Min. Glass Bite - By others
- 6 1/4" Edge Clearance Type - By others
- 7 Closed Cell PVC Tape - By others
- 8 (1) layer of fire rated Type "X" 5/8" gypsum board or (2) layers of 1/2" gypsum board w/ 3/4" gypsum @ sill to conceal steel angle -By others
- 9 Steel Stud Framing
- 10 Setting Block - 3" Min. (sill only)
- 11. Hardwood shim @ setting block location - By others.



C JAMB DETAIL
6"=1'-0"



D JAMB DETAIL
6"=1'-0"



E CF STRUCTURE 120 JOINT DETAIL
6"=1'-0"

DRAWN BY	DATE	CHECKED BY	DATE	REVISION	FRAMING
B. LISTON	1/9/13	S. ROSS	1/9/13	--	--
				--	--
				--	--

TITLE	SHEET NO.
CF STRUCTURE 120 MIN. TEMP. RISE WALL ELEVATION	D1